

BHTS ZZ 280°

Extreme Temperature Bearings



MICRO SERIE

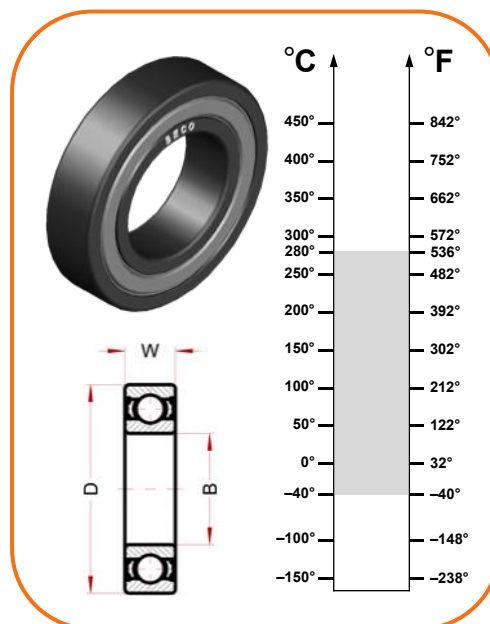
| Designation | Bore (B) | Diam (D) | Width (W) | Speed, RPM | Static Load, kN at 280°C | Static Load, kN at 20°C |
|--------------------|----------|----------|-----------|------------|--------------------------|-------------------------|
| 613/3 BHTS ZZ 280° | 3 | 8 | 3 | 2300 | 0,11 | 0,16 |
| 623 BHTS ZZ 280° | 3 | 10 | 4 | 2300 | 0,13 | 0,18 |
| 604 BHTS ZZ 280° | 4 | 12 | 4 | 2300 | 0,24 | 0,34 |
| 624 BHTS ZZ 280° | 4 | 13 | 5 | 2300 | 0,24 | 0,34 |
| 605 BHTS ZZ 280° | 5 | 14 | 5 | 2300 | 0,30 | 0,42 |
| 625 BHTS ZZ 280° | 5 | 16 | 5 | 2300 | 0,30 | 0,42 |
| 606 BHTS ZZ 280° | 6 | 17 | 6 | 2300 | 0,60 | 0,85 |
| 626 BHTS ZZ 280° | 6 | 19 | 6 | 2300 | 0,60 | 0,85 |
| 607 BHTS ZZ 280° | 7 | 19 | 6 | 2300 | 0,60 | 0,85 |
| 627 BHTS ZZ 280° | 7 | 22 | 7 | 2200 | 0,79 | 1,10 |
| 608 BHTS ZZ 280° | 8 | 22 | 7 | 2100 | 0,79 | 1,10 |
| 628 BHTS ZZ 280° | 8 | 24 | 8 | 2000 | 0,79 | 1,10 |
| 609 BHTS ZZ 280° | 9 | 24 | 7 | 1900 | 0,93 | 1,30 |
| 629 BHTS ZZ 280° | 9 | 26 | 8 | 1800 | 1,12 | 1,57 |

61800 SERIE

| Designation | Bore (B) | Diam (D) | Width (W) | Speed, RPM | Static Load, kN at 280°C | Static Load, kN at 20°C |
|--------------------|----------|----------|-----------|------------|--------------------------|-------------------------|
| 61800 BHTS ZZ 280° | 10 | 19 | 5 | 2240 | 0,38 | 0,53 |
| 61801 BHTS ZZ 280° | 12 | 21 | 5 | 2080 | 0,68 | 0,95 |
| 61802 BHTS ZZ 280° | 15 | 24 | 5 | 1920 | 0,89 | 1,25 |
| 61803 BHTS ZZ 280° | 17 | 26 | 5 | 1760 | 1,04 | 1,45 |
| 61804 BHTS ZZ 280° | 20 | 32 | 7 | 1600 | 1,60 | 2,24 |
| 61805 BHTS ZZ 280° | 25 | 37 | 7 | 1360 | 2,00 | 2,80 |
| 61806 BHTS ZZ 280° | 30 | 42 | 7 | 1040 | 2,39 | 3,35 |
| 61807 BHTS ZZ 280° | 35 | 47 | 7 | 880 | 2,57 | 3,60 |
| 61808 BHTS ZZ 280° | 40 | 52 | 7 | 800 | 3,04 | 4,25 |
| 61809 BHTS ZZ 280° | 45 | 58 | 7 | 720 | 4,00 | 5,60 |
| 61810 BHTS ZZ 280° | 50 | 65 | 7 | 680 | 4,50 | 6,30 |
| 61811 BHTS ZZ 280° | 55 | 72 | 9 | 600 | 6,07 | 8,50 |
| 61812 BHTS ZZ 280° | 60 | 78 | 10 | 560 | 7,86 | 11,0 |
| 61813 BHTS ZZ 280° | 65 | 85 | 10 | 504 | 8,57 | 12,0 |
| 61814 BHTS ZZ 280° | 70 | 90 | 10 | 480 | 8,93 | 12,5 |
| 61815 BHTS ZZ 280° | 75 | 95 | 10 | 448 | 9,57 | 13,4 |

61900 SERIE

| Designation | Bore (B) | Diam (D) | Width (W) | Speed, RPM | Static Load, kN at 280°C | Static Load, kN at 20°C |
|--------------------|----------|----------|-----------|------------|--------------------------|-------------------------|
| 61900 BHTS ZZ 280° | 10 | 22 | 6 | 2240 | 0,54 | 0,75 |
| 61901 BHTS ZZ 280° | 12 | 24 | 6 | 2080 | 0,69 | 0,97 |
| 61902 BHTS ZZ 280° | 15 | 28 | 7 | 1920 | 1,45 | 2,03 |
| 61903 BHTS ZZ 280° | 17 | 30 | 7 | 1760 | 1,64 | 2,30 |
| 61904 BHTS ZZ 280° | 20 | 37 | 9 | 1600 | 2,57 | 3,60 |
| 61905 BHTS ZZ 280° | 25 | 42 | 9 | 1360 | 2,86 | 4,00 |
| 61906 BHTS ZZ 280° | 30 | 47 | 9 | 1040 | 3,23 | 4,52 |
| 61907 BHTS ZZ 280° | 35 | 55 | 10 | 880 | 4,43 | 6,20 |
| 61908 BHTS ZZ 280° | 40 | 62 | 12 | 800 | 6,64 | 9,30 |
| 61909 BHTS ZZ 280° | 45 | 68 | 12 | 720 | 7,00 | 9,80 |
| 61910 BHTS ZZ 280° | 50 | 72 | 12 | 680 | 7,43 | 10,4 |
| 61911 BHTS ZZ 280° | 55 | 80 | 13 | 600 | 8,14 | 11,4 |
| 61912 BHTS ZZ 280° | 60 | 85 | 13 | 560 | 8,57 | 12,0 |
| 61913 BHTS ZZ 280° | 65 | 90 | 13 | 504 | 9,57 | 13,4 |
| 61914 BHTS ZZ 280° | 70 | 100 | 16 | 480 | 13,0 | 18,3 |
| 61915 BHTS ZZ 280° | 75 | 105 | 16 | 448 | 13,7 | 19,3 |



Technical characteristics:

- Bearing material: steel AISI 52100 (Chrome) stabilized to the application
- Treatment of manganese phosphate coating on all steel parts of the bearing
- Radial Clearance 4xCS
- Shields type ZZ
- Lubricated for life with PTFE based on silicone free grease for temperatures up to 280°C (with a dropping point above 400°C)
- Do not need additional lubrication

Fields of application:

- Paint Ovens
- Steel industry
- Furnaces for Ceramic Industry
- Trolley Industry, Trolleys for Brick Kilns Industry



12100 Cuneo - Italy

phone: 0039 0171 66883

fax: 0039 0171 648913

www.becoitalia.biz